



Characteristics



- 2 outlet jets available. It reduces the energy loss as it only warms the air of the inner jet.
- Self-supporting casing construction made of galvanized plated steel, finished in structural epoxy-polyester RAL 9016 as standard. Other colours or stainless steel construction are available on request.
- Low noise centrifugal double inlet fans driven by an external rotor motor with built in thermal protection contact. Provided by five speed selection.
- Micro-perforated inlet grille with filter functions makes unnecessary an intensive filter servicing, only has to be periodically wiped or vacuumed
- "P" type includes water heated coils. "E" type includes electrical shielded elements, three power stages with power switches included.
- Anodised aluminium blow-out vanes, airfoil shaped, adjustable from 0 to 15° each side.
- Control panel and 20m of telephone cable with fast connectors type RJ45 (Plug & Play), included. Optional: Interface to connect to BMS.

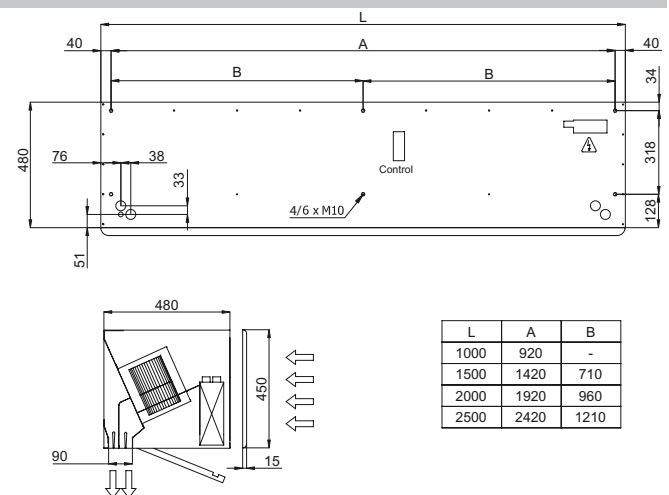
Specifications

Model	Airflow m3/h	Heating Capacity 80/60°C kW	Water Drop Pressure 80/60°C Pa	Water Connections 80/60°C	Heating Capacity 60/40°C kW	Water Drop Pressure 60/40°C Pa	Water Connections 60/40°C	Electrical Heating Capacity 3x400V-50Hz kW	Fans Power 230V-50Hz kW	Fans Current 230V-50Hz A	Noise Level (5 m) dB(A)	Weight kg
DUO M 1000 P86	1875	6,70	380	2x3/4"	-	-	-	-	0,56	2,50	54	64
DUO M 1000 P64	1875	-	-	-	5,60	1820	2x3/4"	-	0,56	2,50	54	64
DUO M 1000 E	1950	-	-	-	-	-	-	3/6/9	0,56	2,50	54	65
DUO M 1500 P86	3125	11,20	420	2x3/4"	-	-	-	-	0,93	4,20	56	87
DUO M 1500 P64	3125	-	-	-	9,50	3400	2x3/4"	-	0,93	4,20	56	87
DUO M 1500 E	3250	-	-	-	-	-	-	4/8/12	0,93	4,20	56	92
DUO M 2000 P86	4375	16,40	1090	2x3/4"	-	-	-	-	1,30	5,85	57	111
DUO M 2000 P64	4375	-	-	-	13,15	2640	2x3/4"	-	1,30	5,85	57	111
DUO M 2000 E	4550	-	-	-	-	-	-	6/12/18	1,30	5,85	57	117
DUO M 2500 P86	5625	21,60	2230	2x3/4"	-	-	-	-	1,49	6,82	58	138
DUO M 2500 P64	5625	-	-	-	16,80	2270	2x3/4"	-	1,49	6,82	58	138
DUO M 2500 E	5850	-	-	-	-	-	-	6/12/18	1,49	6,82	58	146
DUO G 1000 P86	2700	8,50	620	2x3/4"	-	-	-	-	0,76	3,33	55	69
DUO G 1000 P64	2700	-	-	-	7,20	3040	2x3/4"	-	0,76	3,33	55	69
DUO G 1000 E	2775	-	-	-	-	-	-	3/6/9	0,76	3,33	55	70
DUO G 1500 P86	4500	14,20	620	2x3/4"	-	-	-	-	1,27	5,55	57	94
DUO G 1500 P64	4500	-	-	-	12,30	5360	2x3/4"	-	1,27	5,55	57	94
DUO G 1500 E	4625	-	-	-	-	-	-	4/8/12	1,27	5,55	57	99
DUO G 2000 P86	6300	20,75	1660	2x3/4"	-	-	-	-	1,79	7,77	58	121
DUO G 2000 P64	6300	-	-	-	17,00	4140	2x3/4"	-	1,79	7,77	58	121
DUO G 2000 E	6475	-	-	-	-	-	-	6/12/18	1,79	7,77	58	127
DUO G 2500 P86	8100	27,30	3410	2x3/4"	-	-	-	-	2,28	9,99	59	151
DUO G 2500 P64	8100	-	-	-	21,70	3590	2x3/4"	-	2,28	9,99	59	151
DUO G 2500 E	8325	-	-	-	-	-	-	6/12/18	2,28	9,99	59	159

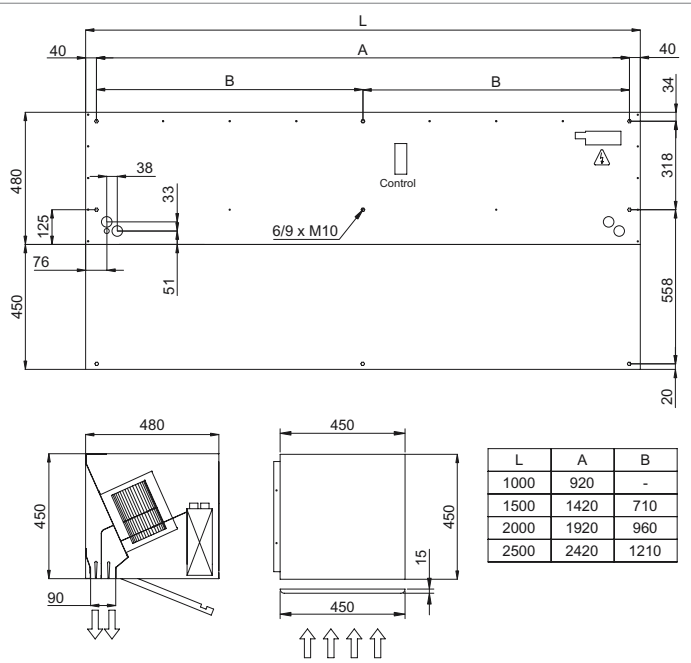




Layouts and dimensions



Free hanging mounting



Inside ceiling surface mounting

